

# SR9244

## ROUGH TERRAIN TELEHANDLER



- Full-time 4 wheel drive
- Fully enclosed cab
- Power assisted steering
- Proportional joystick
- Simple to operate & maintain

 **snorkel**<sup>™</sup>  
[www.snorkellifts.com](http://www.snorkellifts.com)

# ROUGH TERRAIN TELEHANDLER

# SR9244

## CAPABILITIES SR9244

Max. lift capacity	9,260 lbs
Max. lift height (A)	44 ft 4 in
Max. forward reach	31 ft 2 in

## DIMENSIONS

Overall width (B)	7 ft 6 in
Stowed height (C)	8 ft 5 in
Length to fork face (D)*	21 ft 2 in
Wheelbase	9 ft 8 in
Ground clearance	14 in

## PERFORMANCE

Max. drive speed	18.7 mph
Raise/lower time	13/9.5 sec
Frame leveling	11°
Hydraulic flow (per minute)	32 gallons
Hydraulic pressure	3,336 psi
Hydraulic oil capacity	39.5 gallons
Fuel capacity	31.7 gallons
Outside turning radius	13 ft 8 in
Tires	405/70 - 24

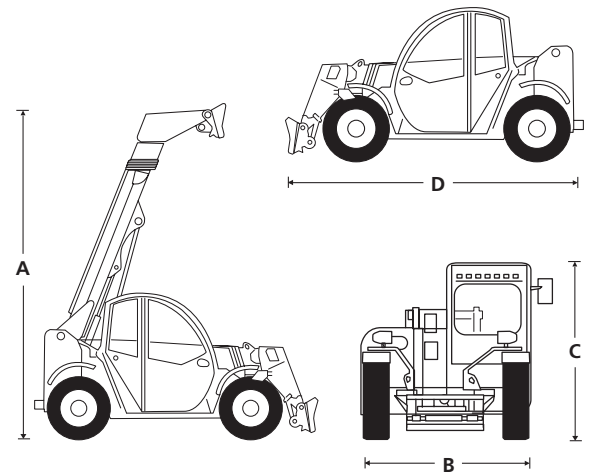
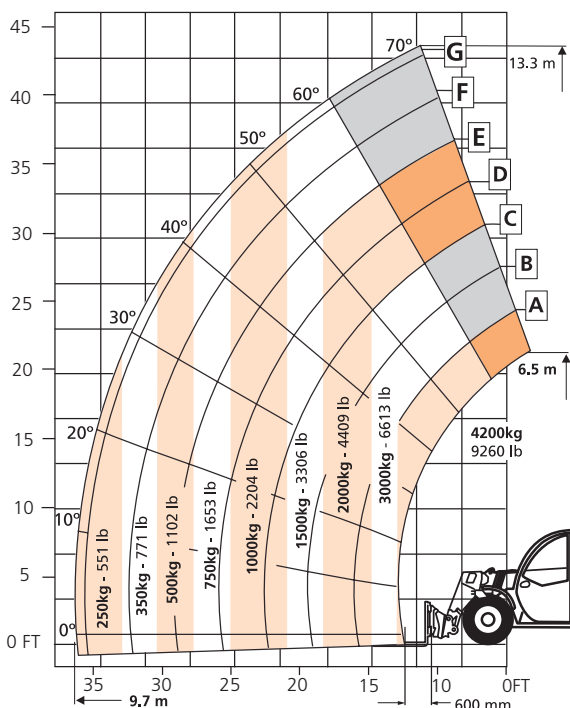
## POWER

Power source Deutz TCD 3.6L Tier 4 Final diesel 100 hp

## WEIGHT

Weight 24,581 lbs

## LOAD CHART



## STANDARD FEATURES

- Fully enclosed cab with air conditioning & heat
- Window wipers
- Manual pintle hitch
- Backup alarm
- Running lights
- Axle mounted outriggers
- PEB electrical boom socket
- Constant front hydraulic flow
- USA block heater plug
- B class carriage adapter
- Hydraulic attachment quick disconnect
- LED front and rear work lights (4)
- LED work lights on boom (2)
- 2 year parts & labor, 5 year structural warranty
- ANSI compliant

## OPTIONS

- Special paint colors
- Multiple options for carriages, tires, fork tines and attachments

**snorkel**

www.snorkellifts.com

P.O. Box 1160  
 St. Joseph, MO 64502-1160, USA  
 Tel: 1 (785) 989-3000  
 Toll-free: 1 (800) 255-0317  
 Fax: 1 (785) 989-3070  
 Email: sales.usa@snorkellifts.com