

S2255BE/S2755BE

NARROW BI-ENERGY ROUGH TERRAIN SCISSOR LIFTS



- Narrow compact bi-energy rough terrain scissor lifts
- Suitable for interior and exterior use
- Non-marking high grip tires
- Roll-out deck extension for extra reach
- Ideal for outdoor work in confined spaces

 **snorkel**[™]
www.snorkellifts.com

NARROW BI-ENERGY ROUGH TERRAIN SCISSOR LIFTS

S2255BE/ S2755BE

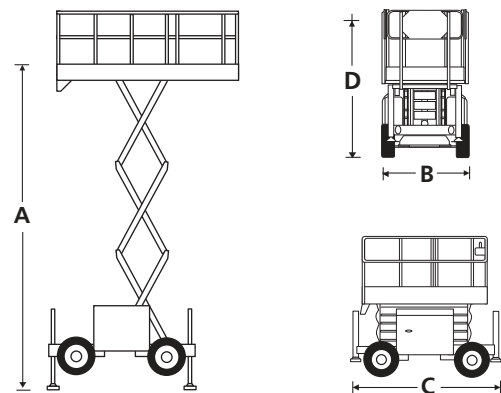
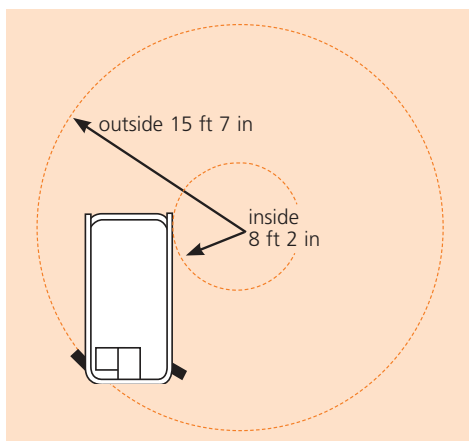
DIMENSIONS	S2255BE	S2755BE
Max. working height	27 ft 10 in	33 ft 1 in
Max. platform height (A)	21 ft 10 in	27 ft 1 in
Platform size (stowed)	4 ft 7 in x 8 ft 11 in	4 ft 7 in x 8 ft 11 in
Platform size (extended)	4 ft 7 in x 12 ft 10 in	4 ft 7 in x 12 ft 10 in
Extension deck length	4 ft	4 ft
Overall width (B)	4 ft 9 in	4 ft 9 in
Overall length (C)	10 ft 10 in	10 ft 10 in
Stowed height (D)	7 ft 8 in	7 ft 8 in
Min. height (guardrails folded)	6 ft 6 in	6 ft 6 in
Ground clearance	10 in	10 in

PERFORMANCE	S2255BE	S2755BE
Platform capacity (SWL)	925 lbs	660 lbs
Max. drive height	20 ft 4 in	25 ft 7 in
Max. wind speed	28 mph	28 mph
Max. drive speed (stowed)	3.2 mph	3.2 mph
Max. drive speed (elevated)	0.4 mph	0.31 mph
Raise/lower time	26/30 sec	26/30 sec
Gradeability (on diesel)	35%	35%
Max. outrigger levelling, front to rear	6°	6°
Max. outrigger levelling, side to side	10°	10°
Inside turning radius	8 ft 2 in	8 ft 2 in
Outside turning radius	15 ft 7 in	15 ft 7 in
Exit/entry angle	20°	20°
Tires	23" x 8.9" - 12 non-marking	
Controls	proportional joystick	
Drive system	4 wheel drive	

POWER	S2255BE	S2755BE
Power source	Bi-energy - Kubota diesel engine & 24V DC batteries	

WEIGHT	S2255BE	S2755BE
Weight	6,130 lbs	6,835 lbs

TURNING RADIUS



STANDARD FEATURES

- DC & diesel power for indoor and outdoor work
- 4 wheel drive
- 4 hydraulic outriggers with automatic leveling
- Roll-out deck extension
- Proportional controls
- Non-marking tires
- Power line to platform
- Drive motion alarm
- Descent alarm
- Manual lowering valve
- Flashing amber light
- Dual lanyard attachment points
- Articulating axle
- Hour meter & on-board diagnostics display
- 2 years parts & labor, 5 year structural warranty
- ANSI compliant

OPTIONS

- Special paint colors
- Nylon spreader pads (set of 4)
- Cold weather package (block heater + battery warm up)
- Environmental hydraulic oil

snorkel www.snorkellifts.com

P.O. Box 1160
St. Joseph, MO 64502-1160, USA
Tel: 1 (785) 989-3000
Toll-free: 1 (800) 255-0317
Fax: 1 (785) 989-3070
Email: sales.usa@snorkellifts.com