

# S9056RT-HC/S9070RT-HC

ULTRA HIGH CAPACITY ROUGH TERRAIN SCISSOR LIFTS



- Ultra high capacity, large deck rough terrain scissor lifts
- Excellent rough terrain performance
- Heavy duty design
- Dual powered extension decks
- Ideal for construction applications

 **snorkel**™  
[www.snorkellifts.com](http://www.snorkellifts.com)

# ULTRA HIGH CAPACITY ROUGH TERRAIN SCISSOR LIFTS

# S9056RT-HC/ S9070RT-HC

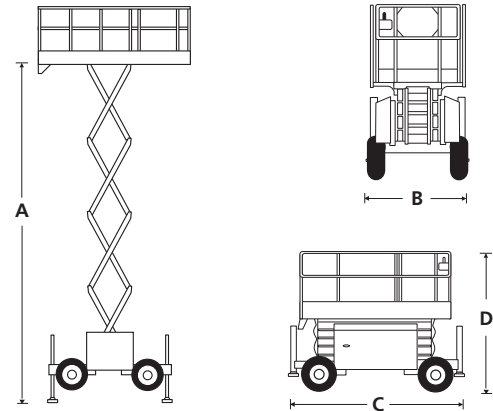
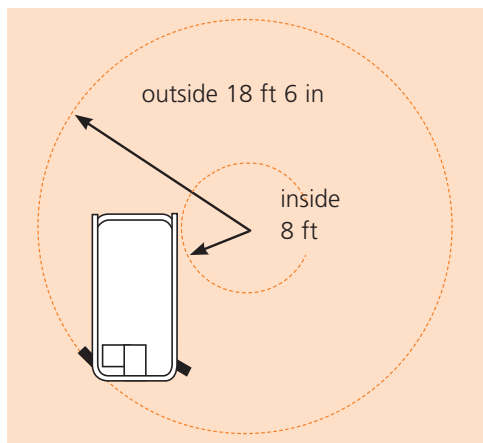
DIMENSIONS	S9056RT-HC*	S9070RT-HC*
Max. working height	62 ft	76 ft
Max. platform height (A)	56 ft	70 ft
Platform size (stowed)	16 ft x 7 ft 6 in	
Platform size (dual decks extended)	25 ft x 7 ft 6 in	
Extension deck length	4 ft 6 in	4 ft 6 in
Overall width (B)	7 ft 6 in	7 ft 6 in
Overall length (C)	16 ft	16 ft
Stowed height (D)	10 ft 2 in	11 ft 3 in
Min. height (guardrails folded)	7 ft	8 ft 5 in
Ground clearance	14 in	14 in

PERFORMANCE	S9056RT-HC*	S9070RT-HC*
Platform capacity (SWL)	2,500 lbs	2,000 lbs
Max. drive height	31 ft	31 ft
Max. wind speed	28 mph	28 mph
Max. drive speed (stowed)	4.2 mph	4.2 mph
Max. drive speed (elevated)	0.6 mph	0.6 mph
Raise/lower time	55/35 sec	70/40 sec
Gradeability	50%	50%
Max. stabilizer levelling, front to rear	6°	6°
Max. stabilizer levelling, side to side	14°	14°
Inside turning radius	8 ft	8 ft
Outside turning radius	18 ft 6 in	18 ft 6 in
Tires	13 x 36 foam filled	
Controls	proportional joystick	
Drive system	4 wheel drive	

POWER	S9056RT-HC*	S9070RT-HC*
Power source	Kubota diesel	

WEIGHT	S9056RT-HC*	S9070RT-HC*
Weight	20,000 lbs	25,500 lbs

## TURNING RADIUS



## STANDARD FEATURES

- 4 wheel drive
- 4 hydraulic stabilizers with automatic levelling
- Dual powered extension decks
- Proportional controls
- Foam filled tires
- Power line to platform
- Drive motion alarm
- Descent alarm
- Locking articulating axle
- Fold-down guardrails
- Manual lowering valve
- Flashing amber light
- Dual lanyard attachment points
- Hour meter & on-board diagnostics display
- 2 year parts & labor, 5 year structural warranty
- ANSI compliant

## OPTIONS

- Special paint colors
- Nylon spreader pads (set of 4)
- Environmental hydraulic oil
- Dual fuel
- LPG power
- Cold weather package (block heater + battery warm up)
- Hydraulic 2kW generator
- Hydraulic 12kW generator

**snorkel** [www.snorkellifts.com](http://www.snorkellifts.com)

P.O. Box 1160  
St. Joseph, MO 64502-1160, USA  
Tel: 1 (785) 989-3000  
Toll-free: 1 (800) 255-0317  
Fax: 1 (785) 989-3070  
Email: sales.usa@snorkellifts.com